

## FORRO LED

Facade luminaire

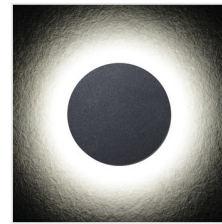
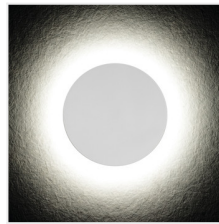
54IP

LED  
technology



FORRO LED EL 8W-GR

[V] 220-240 AC	[Hz] 50/60	≥25000	[h] 25000	ellipse ≤ 6x Nachdam	Ra ≥80	SMD
			IP 54	0,5m		°C -15÷40
		1,5÷2,5 [mm²]	CE	EAC		



	[W]	[lm]	Tc [K]		
FORRO LED EL 8W-GR	<b>29250</b>	8	330	4000	wall mounted graphite
FORRO LED EL 8W-W	<b>29251</b>	8	480	4000	wall mounted white



Kanlux FORRO are facade fittings characterized by simple and attractive design. They can be used as a fitting for interiors (they have an appropriate CRI coefficient), at the same time they can be used on building facades (IP54). In Kanlux FORRO light is directed towards facade, creating a light rim around the holder.

- Enclosure material: aluminum alloy
- Protective glass material: plastic

## FORRO LED

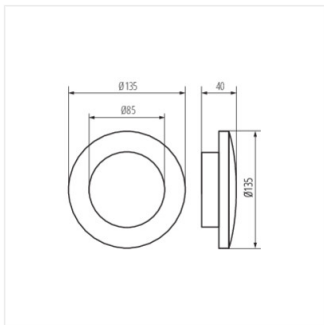
Facade luminaire



FORRO LED EL 8W-GR



FORRO LED EL 8W-W



FORRO LED EL 8W-GR