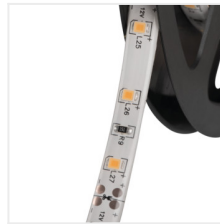


## LEDS-B

### LED tape



LEDS-B 4.8W/M IP00

					IP	
LEDS-B 4,8W/M IP00-CW	<b>24518</b>	1m = 4,8	1m = 500	6500	00	5000
LEDS-B 4,8W/M IP00-NW	<b>24517</b>	1m = 4,8	1m = 470	4000	00	5000
LEDS-B 4,8W/M IP00-WW	<b>24516</b>	1m = 4,8	1m = 450	3000	00	5000
LEDS-B 4,8W/M IP54-CW	<b>24512</b>	1m = 4,8	1m = 320	6000-7500	54	5000
LEDS-B 4,8W/M IP54-NW	<b>24511</b>	1m = 4,8	1m = 300	4000-5500	54	5000
LEDS-B 4,8W/M IP54-WW	<b>24510</b>	1m = 4,8	1m = 270	3300-3900	54	5000
LEDS-B 4,8W/M IP65-CW	<b>24515</b>	1m = 4,8	1m = 450	6500	65	5000
LEDS-B 4,8W/M IP65-NW	<b>24514</b>	1m = 4,8	1m = 425	4000	65	5000
LEDS-B 4,8W/M IP65-WW	<b>24513</b>	1m = 4,8	1m = 400	3000	65	5000



Kanlux LEDS-B are modern strips of decorative character. Perfect for home use where they can create unique arrangements limited by our imagination only. They are characterised by high flexibility, good adhesion and high durability. Depending on the place in which we want to add more light or which we wish to highlight, we can choose the light colour suiting our preferences.

## LEDS-B

### LED tape



LEDS-B 4.8W/M IP00



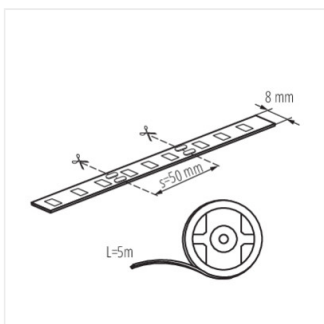
LEDS-B 4.8W/M IP54



LEDS-B 4.8W/M IP65



LEDS-B 4.8W/M IP65



LEDS-B 4.8W/M

## LEDS-B

---

### LED tape

#### ACCESSORIES:

**19030** CONNECTOR 8 LED band connector, CONNECTOR 8 (19030)



**19032** CONNECTOR 8-CP LED band connector, CONNECTOR 8-CP (19032)



**19033** CONNECTOR 8-CPC LED band connector, CONNECTOR 8-CPC (19033)

